

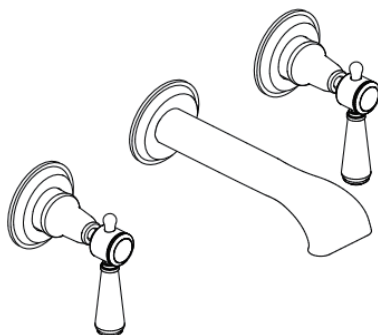
# USER MANUAL



Thank you for choosing Better Bathrooms.  
Please read this manual before installing your product  
and keep for future reference.

**better  
bathrooms**

## Product : Wall Mounted Basin Mixer



- **Single person assembly**
- **Tools required**
- **We always recommend using professional tradespeople to install your product**

V1 23.08.21

# **Congratulations on your purchase**

And welcome to our growing gang of savvy shoppers

We're on a mission to bring you extraordinary bathroom products, for less. From modern to traditional style ceramics, plus the gorgeous fixtures, fittings and furniture to match. So, you can fall in love with your space every single day.

As one of the UK's largest independent bathroom stores, we've received countless awards; including the National Business Awards UK, the Digital Entrepreneur Awards and being placed on The Sunday Times Fast Track 100.

We hope your new product goes above and beyond your expectations. However, should any problems occur, please:

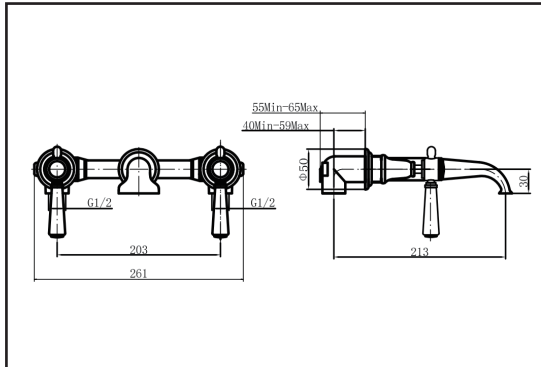
- log in to your account and contact our customer services team via your self-serve portal – [betterbathrooms.com/Account/Login](https://betterbathrooms.com/Account/Login)
- contact us via [betterbathrooms.com/contact-us](https://betterbathrooms.com/contact-us)

## **Important information**

- Please read these instructions thoroughly and retain for future reference
- Pressures should meet minimum stated on the website
- Pressures must be balanced for optimum performance
- Always check for pipes and cables before drilling
- System must be flushed through prior to installation

# Contents

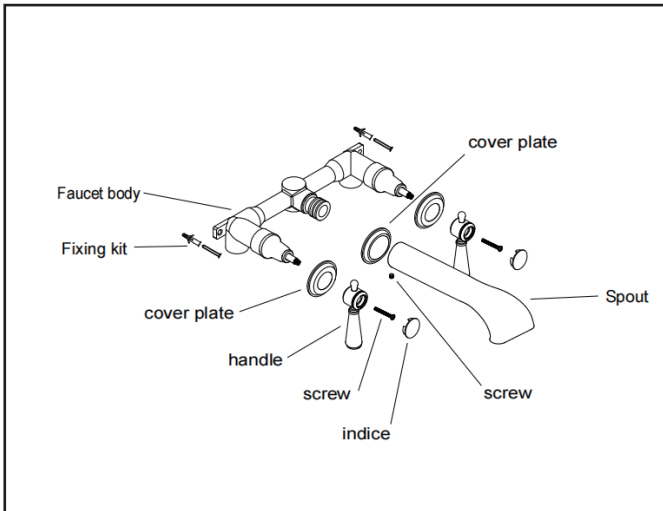
## Dimension Drawing

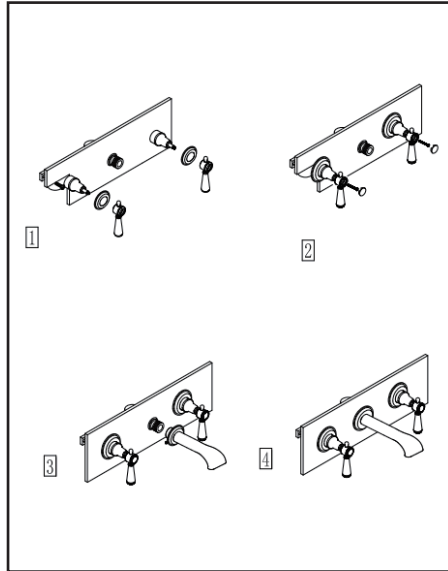


## Tools required

Spanner, Hammer, PTFE Tape And Screw Drive

## Parts / Diagrams





## Installation

Please note: Before starting the installation of a new mixer, turn off the water supply

Please note: HOT supply to the left and COLD supply to the right

1. Determine the fixing position and prepare recess for the faucet body. Make the recess in the wall according to the dimension of the faucet body.
2. Position the faucet body in place and mark through the pre-drilled screw holes on the body, Connect the cold water inlet and hot water inlet correctly. then drill the marked points before inserting wall plugs into the wall holes. Hold faucet body in place and secure to the wall with supplied fixings.
3. Fix the two cover plates on to the faucet body, make the handles tight with screws. Fix the indice on the handles.
4. Fix the cover plate on to the spout, secure the spout on to the body tightly with screw

## Cleaning

To maintain the surface finish of your product, wipe clean regularly, using a clean damp cloth and dry cloth to polish. Do not use abrasive cleaning agents or materials on the product surface as you may invalidate your guarantee. Should any harsh chemicals come into contact with the surface of the product during bathroom cleaning, rinse off immediately, wipe clean and dry.

### *For more information*

- visit [betterbathrooms.com](http://betterbathrooms.com)
- email [customerservices@buyitdirect.co.uk](mailto:customerservices@buyitdirect.co.uk)
- call 0330 390 3062
- write to Trident Business Park, Neptune Way, Huddersfield, HD2 1UA

**better**   
**bathrooms**

Part of the BuyItDirect Group